

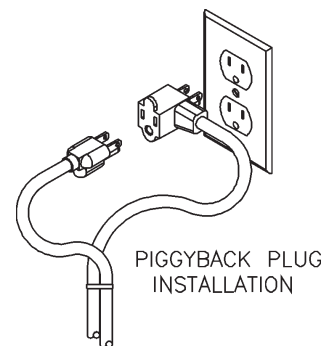
ES33 MODELS



The new ES33 models are energy-saving, high performance, fully submersible sump/effluent pumps, designed for the professional plumbing contractor. The powerful 1/3 HP PSC motor delivers 40 GPM @ 10' TDH, while drawing only 5.0 full load amps, conserving electrical energy. The ES33 models are designed, manufactured and tested in accordance with Little Giant's demanding standards, and are backed by Little Giant's premier customer service.

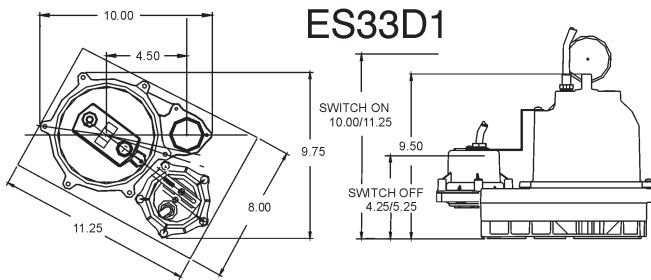
Features

- Powerful, 1/3 HP Permanent Split Capacitor (PSC) motor for high starting and running torque, with low amp draw to conserve electrical energy
- Recessed, vortex impeller made of tough, engineered composite material to reduce clogging; will pass 3/8" diameter spherical solids
- Bearings: Upper sintered sleeve bearing and lower ball bearing for extended motor life
- Mechanical seal (stainless steel spring, nitrile parts, carbon and ceramic faces) to assure maximum protection against pump failure
- Rugged cast iron pump housing with epoxy coating for corrosion resistance
- Choice of automatic operation:
 - Diaphragm pressure switch
 - Vertical mechanical switch
 - Wide angle float switch
- Oil-filled motor housing for lifetime bearing lubrication and maximum heat dissipation
- Stainless steel hardware to protect against corrosion
- Thermal overload protection

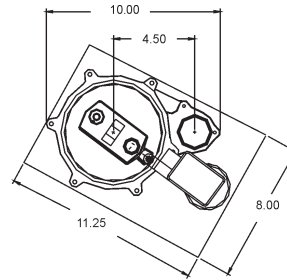


Little Giant Pump Co.

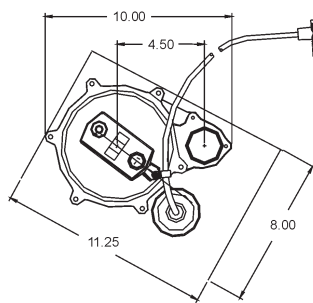
ES33 MODELS



ES33D1



ES33V1

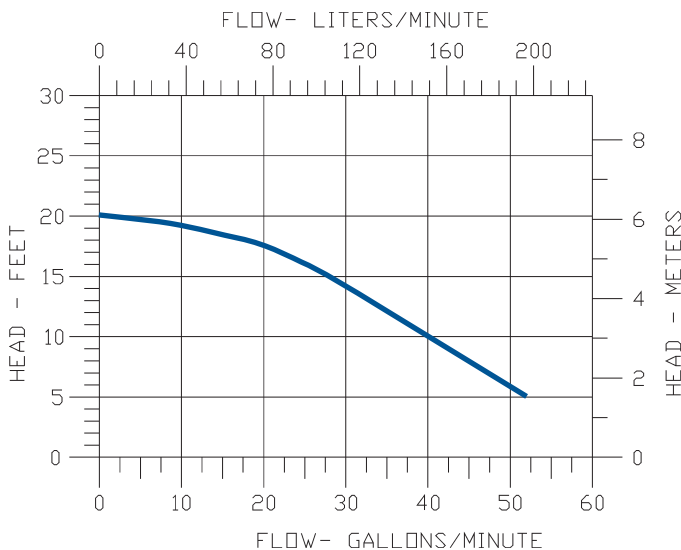


ES33W1

Specifications

Submersible Sump Pumps

Model	Item	Listing	HP	Volts	Discharge (FNPT)	Solids Handling	FLA Amps	5'			Shut Off	Max PSI	Cord Length	Weight	Dimensions (Inches)		
								10'	15'	H					L	W	
ES33D1-10	506420	CSA-cCSAus	1/3	115/60	1-1/2"	3/8"	5	52	40	28	20	8.6	10	28	9.25	9.75	11.75
ES33D1-20	506421	CSA-cCSAus	1/3	115/60	1-1/2"	3/8"	5	52	40	28	20	8.6	20	30	9.25	9.75	11.75
ES33V1-10	506422	CSA-cCSAus	1/3	115/60	1-1/2"	3/8"	5	52	40	28	20	8.6	10	28	9.25	9.75	11.75
ES33V1-20	506423	CSA-cCSAus	1/3	115/60	1-1/2"	3/8"	5	52	40	28	20	8.6	20	30	9.25	9.75	11.75
ES33W1-10	506424	CSA-cCSAus	1/3	115/60	1-1/2"	3/8"	5	52	40	28	20	8.6	10	28	9.25	9.75	11.75
ES33W1-20	506425	CSA-cCSAus	1/3	115/60	1-1/2"	3/8"	5	52	40	28	20	8.6	20	30	9.25	9.75	11.75



Construction

Motor Housing	Epoxy coated cast iron
Impeller Material	Engineered composite
Impeller Type	Recessed, vortex
Volute	Glass-filled polypropylene
Power Cord	16/3 SJTW-A
Mechanical Shaft Seal	Nitrile with carbon and ceramic faces
Fasteners	Stainless steel
Shaft	Cold rolled steel
Bearings	Upper: Sintered iron/copper, flanged sleeve Lower: Ball bearing