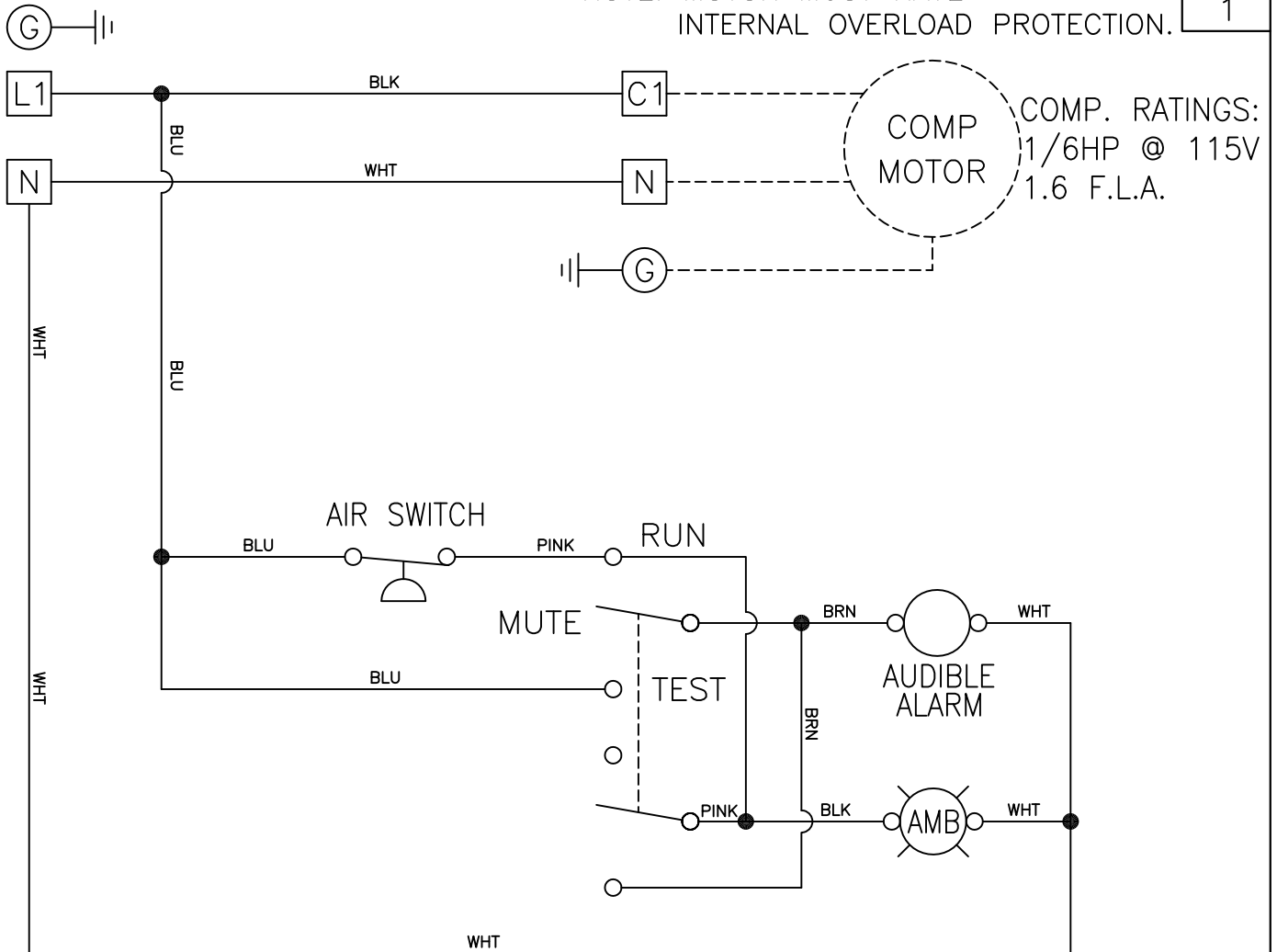


50B135

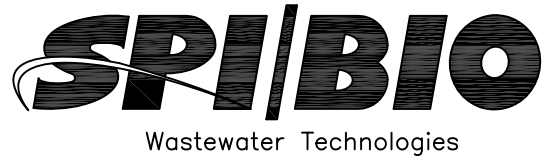
PUMP/COMPRESSER POWER CIRCUIT  
115V - 1PH

PAGE  
1

NOTE: MOTOR MUST HAVE  
INTERNAL OVERLOAD PROTECTION.



NOTES: MAIN PANEL DISCONNECT MUST BE PROVIDED BY INSTALLER.  
DASHED LINES INDICATE ITEMS NOT CONTAINED IN THE PANEL.  
FIELD WIRING MUST BE A MINIMUM OF 60°C COPPER WIRE.  
REQUIRED TORQUE FOR TERMINAL BLOCK SCREWS IS 9 in-lbs.



ALL INFORMATION CONTAINED IN THIS DRAWING IS  
CONFIDENTIAL AND PROPRIETARY TO SEPTIC PRODUCTS, INC.

CHANGES	TOLERANCES	DRAWN BY	DATE	SCHEMATIC, ELECTRICAL COMPRESSOR PANEL	
F	DECIMALS .XXX = ±.005 .XX = ±.010 FRACTIONAL X/X = ±.1/64 ANGLES X° = ±1/2°	D. MIDDLETON	06/20/04	SCALE:	PART NO.
E		MATERIAL SPECIFICATION:  AS NOTED		FULL	50B135
D					
C					
B					
A					