



Motor Mounted Rotary Vane 3.2, 4.5, 8.0 and 10.0 cfm



0823/1023

Lab Model 0323/0523

Lubricated 23 Series 0323, 0523, 0823, 1023 Models

MODEL 0323 SERIES (Vacuum Model)
25.0" HG MAX. VAC., 3.2 CFM OPEN FLOW

0323 LAB MODEL (Vacuum or Pressure)
Specially accessorized for laboratory use.
25.0" HG MAX. VAC. OR 10 PSI MAX. PRESSURE,
3.2 CFM OPEN FLOW

MODEL 0523 SERIES (Vacuum Model)
26.5" HG MAX. VAC., 4.5 CFM OPEN FLOW

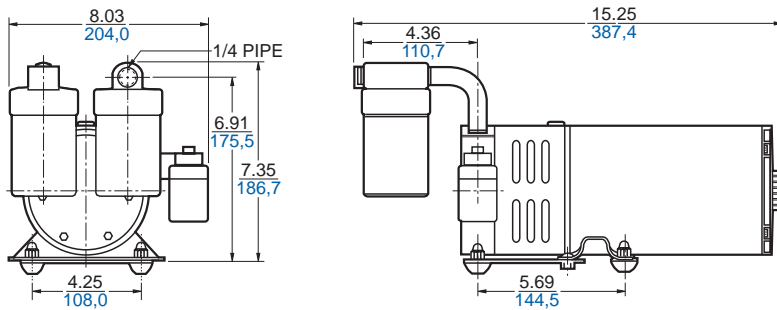
0523 LAB MODEL (Vacuum or Pressure)
Specially accessorized for laboratory use.
26.0" HG MAX. VAC. OR 10 PSI MAX. PRESSURE,
4.5 CFM OPEN FLOW

MODEL 0823 SERIES (Vacuum Model)
26.5" HG MAX. VAC., 8.0 CFM OPEN FLOW

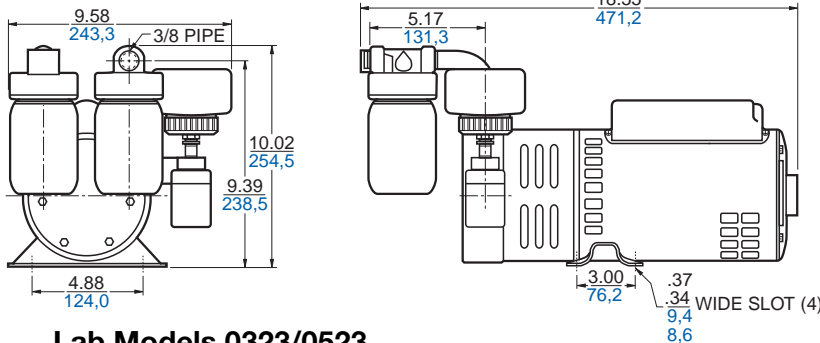
MODEL 1023 SERIES (Vacuum Model)
26.5" HG MAX. VAC., 10.0 CFM OPEN FLOW

Product Dimensions (mm, inches)
Dimensions are for reference only.

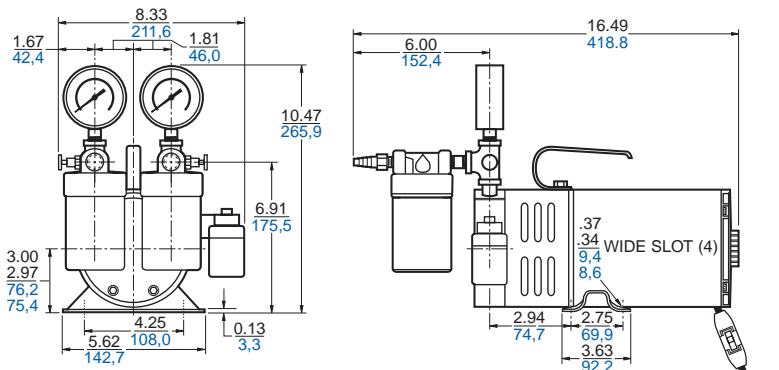
Models 0323/0523



Models 0823/1023



Lab Models 0323/0523



Note: Foot assembly (included) not shown.

PRODUCT FEATURES

- Lubricated operation
- Motor mounted
- Rugged construction/low maintenance
- Essentially pulse-free service

INCLUDES

- Foot support assembly AC136 (0323/0523) – Vacuum Models
- Thermotector (on Single Phase Units only)
- Oiler assembly AA930A (0323/0523) – Vacuum Models
- Constant level oiler AD125K (0823/1023)
- Oil reservoir AD117 (0823/1023)
- Filter V400G (0323/0523), AB599 (0823/1023)
- Muffler V425K (0323/0523), AB599C (0823/1023)

Lab Models:

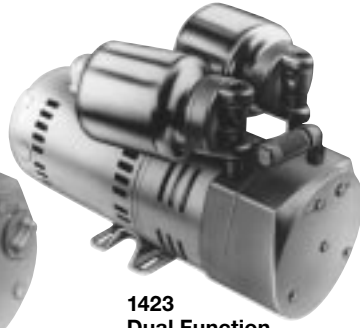
- Gauges – Vacuum AA640, Pressure AA644B
- Hose barbs AA254D
- Regulators AA986A
- Carrying handle AC174
- Cord with on/off switch AA896
- Foot support assembly AC136
- Muffler AB609B
- Filter AB609D
- Oiler assembly AA930B

RECOMMENDED ACCESSORIES

- Vacuum relief valve AA840A
- Vacuum gauge AA640
- Oil AD220
- Repair kit K485 (0323/0523) – Vacuum Models
- Repair kit K486 (0823/1023)
- Repair kit K556 (0323/0523) – Lab Models



0323/0523

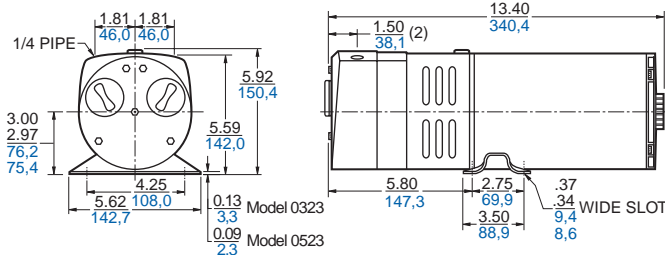


1423
Dual Function

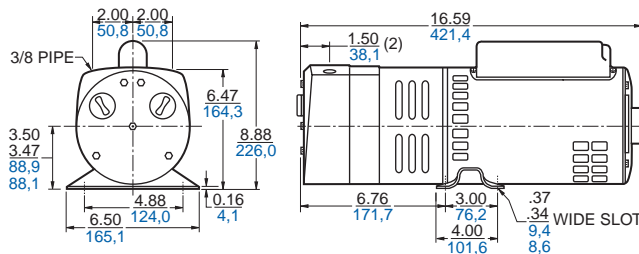
Product Dimensions (mm, inches)

Dimensions are for reference only.

Models 0323/0523

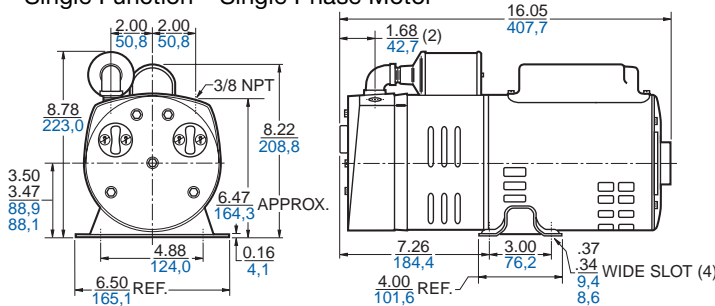


Models 0823/1023

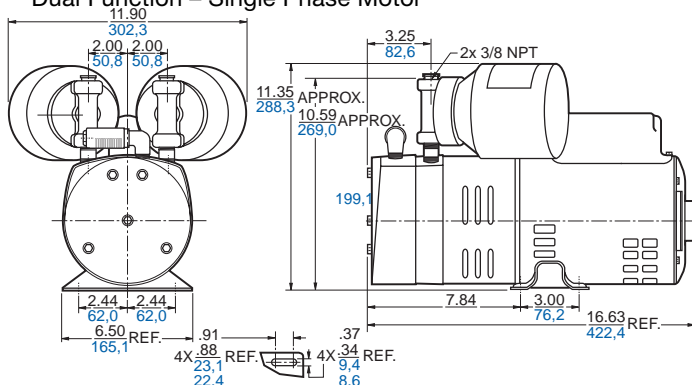


Model 1423

Single Function – Single Phase Motor



Dual Function – Single Phase Motor



Oilless 23 Series 0323, 0523, 0823, 1023, 1423 Models

MODEL 0323 SERIES

25" HG MAX. VAC., 3.2 CFM OPEN FLOW

10 PSI MAX. PRESSURE, 3.2 CFM OPEN FLOW

MODEL 0523 SERIES

26" HG MAX. VAC., 4.5 CFM OPEN FLOW

10 PSI MAX. PRESSURE, 4.5 CFM OPEN FLOW

MODEL 0823 SERIES (Vacuum Model)

26" HG MAX. VAC., 8.0 CFM OPEN FLOW

10 PSI MAX. PRESSURE, 8.0 CFM OPEN FLOW

MODEL 1023 SERIES

26" HG MAX. VAC., 10.0 CFM OPEN FLOW

10 PSI MAX. PRESSURE, 10.0 CFM OPEN FLOW

MODEL 1423 SERIES

25" HG MAX. VAC., 13.2 CFM OPEN FLOW

10 PSI MAX. PRESSURE, 13.5 CFM OPEN FLOW

MODEL 1423 DUAL FUNCTION

Ideal for graphic arts applications where simultaneous vacuum and pressure are needed.

20" HG MAX. VAC. @ 3 PSI PRESSURE,

10.6 CFM OPEN FLOW

PRODUCT FEATURES

- Oilless operation
- Motor mounted
- Rugged construction/low maintenance
- Essentially pulse-free service

INCLUDES

- Thermotector (on Single Phase Units only)
- Internal muffler and filter
- External mufflers and filters (1423 Models)
- Silencer:
 - AK840A (0323)
 - AK840 (0523/0823/1023)
 - AC432 (1423 Single Function)
- Foot support assembly AC136 (0323/0523)

RECOMMENDED ACCESSORIES

- Vacuum relief valve AA840A (0523/0823/1023/1423)
- Pressure relief valve AA600
- Vacuum gauge AA640
- Pressure gauge AA644B (Dual Function Units)
- Repair kit K478 (0323/0523)
- Repair kit K479 (0823/1023)
- Repair kit K575A (1423)



Product Specifications

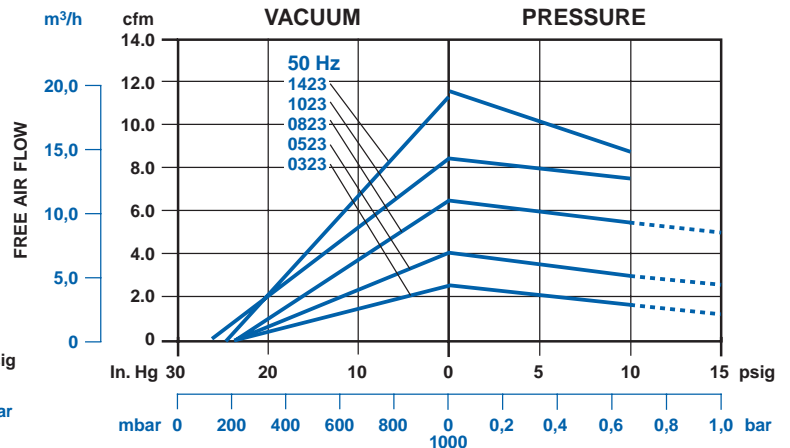
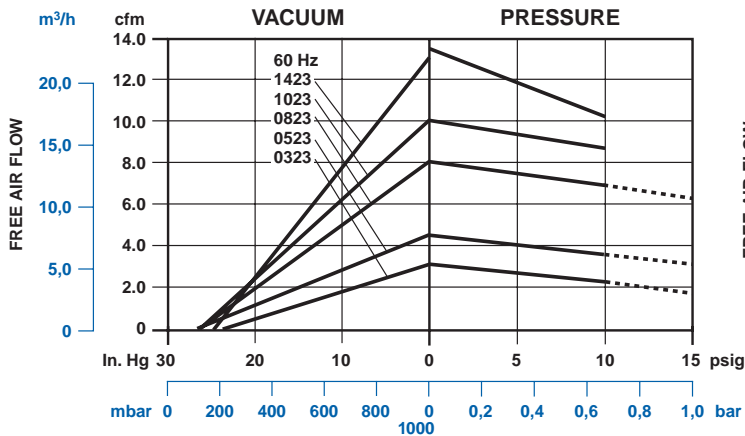
Note: Models listed below are single function compressors or vacuum pumps except for D101Q models, which are dual function.

Model Number	Motor	RPM		HP	kW	Thermotector	Foot Assy.	Net Wt.	
		60 cycle	50 cycle					lbs.	kg
0323-101Q-SG588DX	100-110/220-240; 100-115/208-230-50/60-1	1725	1425	1/4	0,19	•	•	31	14,0
0523-101Q-SG588DX	100-110/220-240; 100-115/208-230-50/60-1	1725	1425	1/4	0,19	•	•	30	13,5
0523-V103-SG588DX	100-110/220-240; 100-115/208-230-50/60-1	1725	1425	1/4	0,19	•	•	30	13,5
0523-703Q-ER32X*	110-120/220-240-50/60-1	1725	1425	1/4	0,19	•	•	32	14,4
0823-101Q-G279	208-220/440-60/50-3	1725	1425	3/4	0,56			47	21,2
0823-101Q-SG608X	100-110/220-240; 100-115/208-230-50/60-1	1725	1425	3/4	0,56	•		47	21,2
0823-V103-SG608X	100-110/220-240; 100-115/208-230-50/60-1	1725	1425	3/4	0,56	•		47	21,2
1023-101Q-SG608X	100-110/220-240; 100-115/208-230-50/60-1	1725	1425	3/4	0,56	•		47	21,2
1023-101Q-G279	208-220/440-50/60-3	1725	1425	3/4	0,56			47	21,2
1023-703Q-G279	208-220/440-50/60-3	1725	1425	3/4	0,56			52	23,4
1023-V103-SG608X	100-110/220-240; 100-115/208-230-50/60-1	1725	1425	3/4	0,56	•		47	21,2
1023-703Q-ER80*	220-240/380-440-50/60-3	1725	1425	3/4	0,56			48	21,6
1423-101Q-G626X	100-110/200-220-240; 100-115/200-208-230-50/60-1	1725	1425	1	0,75	•		53	23,9
1423-101Q-G625	220-240-380-415; 230/460-50/60-3	1725	1425	1	0,75			53	23,9
1423-D101Q-G626X	100-110/200-220-240; 100-115/200-208-230-50/60-1	1725	1425	1	0,75	•		63	28,4

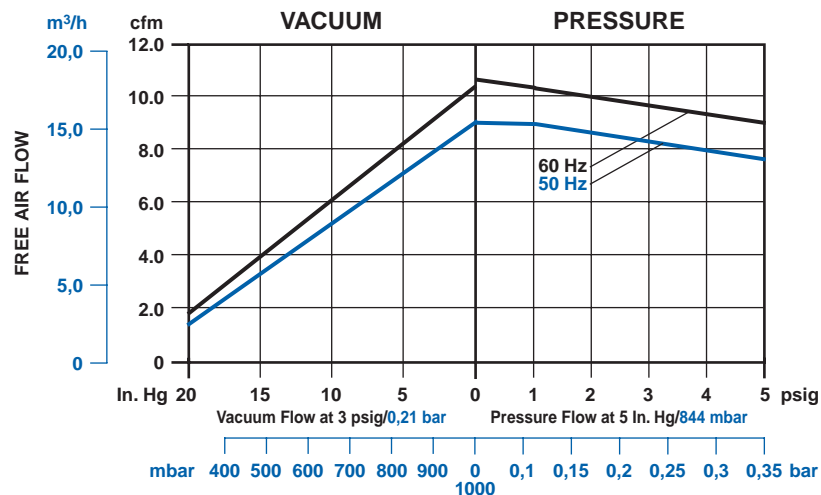
*Available only in Europe

Product Performance (Metric, U.S.)

Single Function Models



Dual Function 1423





Product Specifications

Note: All models listed below are vacuum models only except for the V4 (lab models) which are set up for vacuum or pressure.

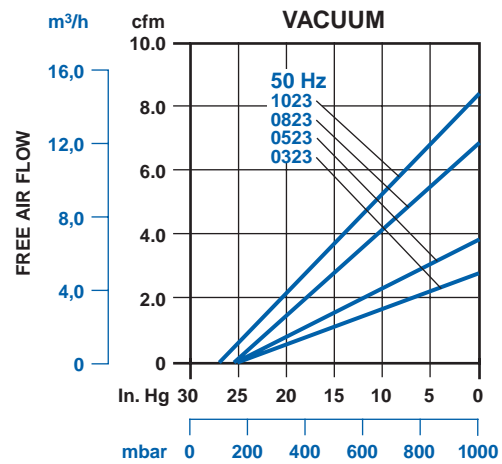
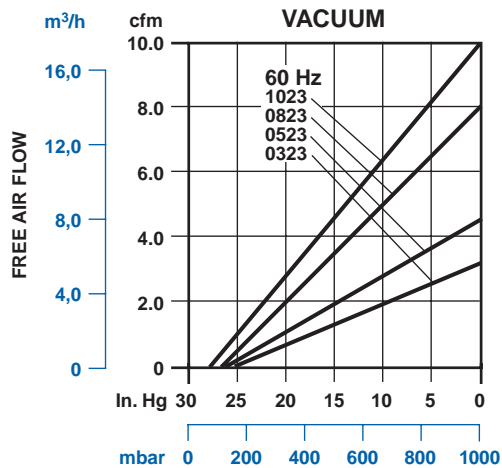
Model Number	Motor	RPM		HP	kW	Thermotector	Foot Assy.	Net Wt.	
		60 cycle	50 cycle					lbs.	kg
0323-V3-SG588DX	100-110/220-240; 100-115/208-230-50/60-1	1725	1425	1/4	0,19	•	•	33	14,9
0323-V4-SG588DX*	100-110/220-240; 100-115/208-230-50/60-1	1725	1425	1/4	0,19	•	•	35	15,8
0523-V3-SG588DX	100-110/220-240; 100-115/208-230-50/60-1	1725	1425	1/4	0,19	•	•	33	14,9
0523-V803-ER32X**	110-120/220-240-50/60-1	1725	1425	1/4	0,19	•	•	34	15,3
0523-V4-SG588DX*	100-110/220-240; 100-115/208-230-50/60-1	1725	1425	1/4	0,19	•	•	35	15,8
0823-V2-SG608X	100-110/220-240; 100-115/208-230-50/60-1	1725	1425	3/4	0,56	•		54	24,3
1023-V2-SG608X	100-110/220-240; 100-115/208-230-50/60-1	1725	1425	3/4	0,56	•		54	24,3
1023-V2-G279	208-220/440-50/60-3	1725	1425	3/4	0,56			54	24,3

* Lab Models

** Available only in Europe.

Product Performance (Metric, U.S.)

Vacuum Models



Lab Models

Note: Performance shown is for operation as a vacuum pump or compressor, not combined.

