

www.septicsolutions.com
 SEPTIC SOLUTIONS, INC.
CYCLONETM
 High Performance Air Pumps

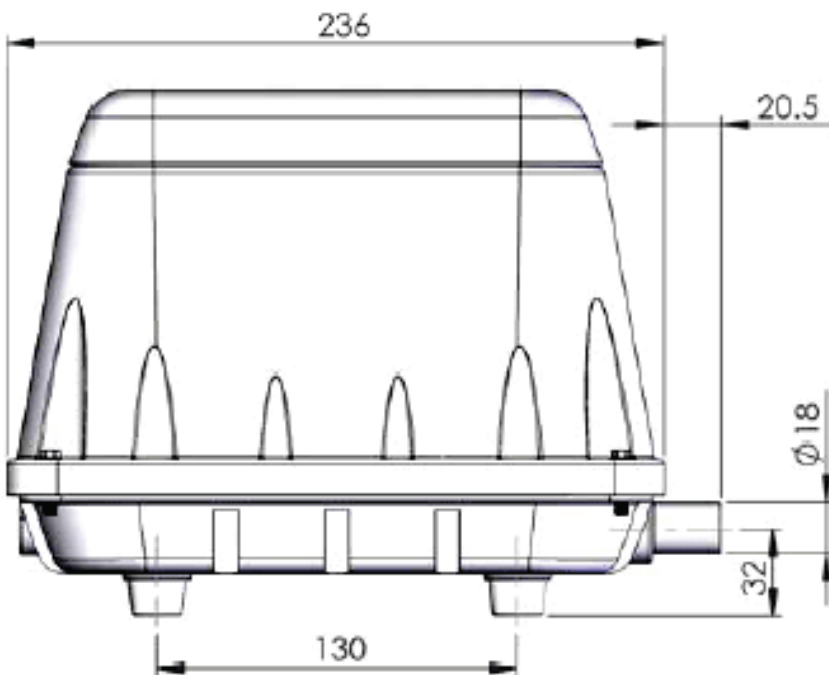
SS-80



AIR PUMP SPECIFICATIONS

Voltage	115 VAC
Amperage	1.9 A
Wattage	92 W
Max CFM	4.2 cfm
Rated LPM	80 lpm
Max PSI	7.20 psi

CFM = Cubic Feet/Min LPM = Liters/Min PSI = Lbs/Sq In



Dimensions measured in mm

