



# Model 98

## Sump Pump

### Professional Series Sump Pump Model 98 Features:

- 3-year warranty
- 2-pole mechanical switch
- 1/2 HP 115 V sump pump
- Performance up to 23' (7 m) TDH
- Flows up to 72 GPM (273 LPM)
- Cast iron switch case, motor and pump housing
- Corrosion-resistant, powder coated epoxy paint

**100% factory tested**



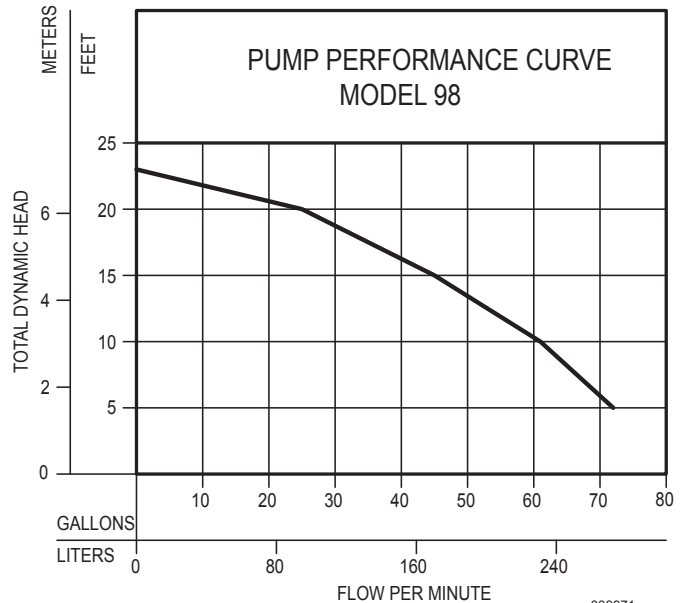
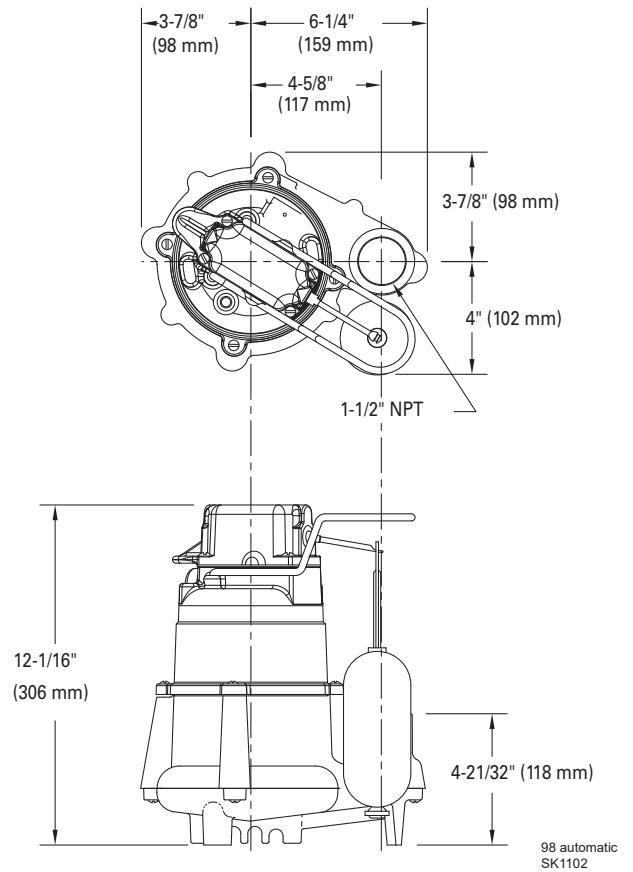
Trusted. Tested. Tough.®

zoellerpumps.com 800-928-7867  
3649 Cane Run Road, Louisville, KY 40211 USA

FM3012  
0520  
Supersedes  
0117

# PRODUCT SPECIFICATIONS

<b>MOTOR</b>	Horse Power	1/2
	Voltage	115 or 230
	Phase	1 Ph
	Hertz	60 Hz
	RPM	1725
	Type	Permanent split capacitor
	Insulation	Class B
	Amps	4.7 - 9.4
	<b>PUMP</b>	Operation
Auto On/Off Points		9-1/2" (24 cm) / 3" (7.6 cm)
Discharge Size		1-1/2" NPT
Solids Handling		1/2" (13 mm) spherical solids
Cord Length		15' (5 m) standard
Cord Type		UL listed
Max. Head		23' (7 m)
Max. Flow Rate		72 GPM (273 LPM)
Max. Operating Temp.		130° F (54° C)
Cooling		Oil filled
Motor Protection		Auto reset thermal overload
<b>MATERIALS</b>	Cap	Cast iron
	Motor Housing	Cast iron
	Pump Housing	Cast iron
	Base	Engineered thermoplastic
	Upper Bearing	Oil-fed cast iron
	Lower Bearing	Oil-fed cast iron
	Mechanical Seals	Carbon and ceramic
	Impeller Type	Non-clogging vortex
	Impeller	Engineered plastic
	Hardware	Stainless steel
	Motor Shaft	AISI 1215 cold rolled steel
	Gasket	Neoprene




  
 Tested to Standard UL778 and  
 Certified to CSA  
 Standard C22.2 No. 108





