

# SEWAGE PUMPS

## Model: SWH50



### Features

- Heavy duty cast iron construction
- Oil-filled continuous duty PSC motor (1Ph) and Induction motor (3Ph)
- 9 Vane vortex cast iron impeller
- 2" solids handling

### Specifications

#### Physical Data:

DISCHARGE SIZE	2" Flanged with 2" & 3" NPT Adapter
IMPELLER TYPE	9 Vane Vortex - Cast Iron
CABLE LENGTH	20'

#### Liquid Handling:

SOLIDS SIZE	2"
MAXIMUM LIQUID TEMP.	104°F – Intermittent
ACCEPTABLE PH RANGE	6-8

#### Technical Data:

MOTOR HOUSING	Cast Iron
CASING	Cast Iron
IMPELLER	Cast Iron
MOTOR SHAFT	SS416
HARDWARE	SST
"O" RINGS	NBR
SEALS	Single Mechanical, Carbon Ceramic
UPPER BEARING	6203
LOWER BEARING	6203

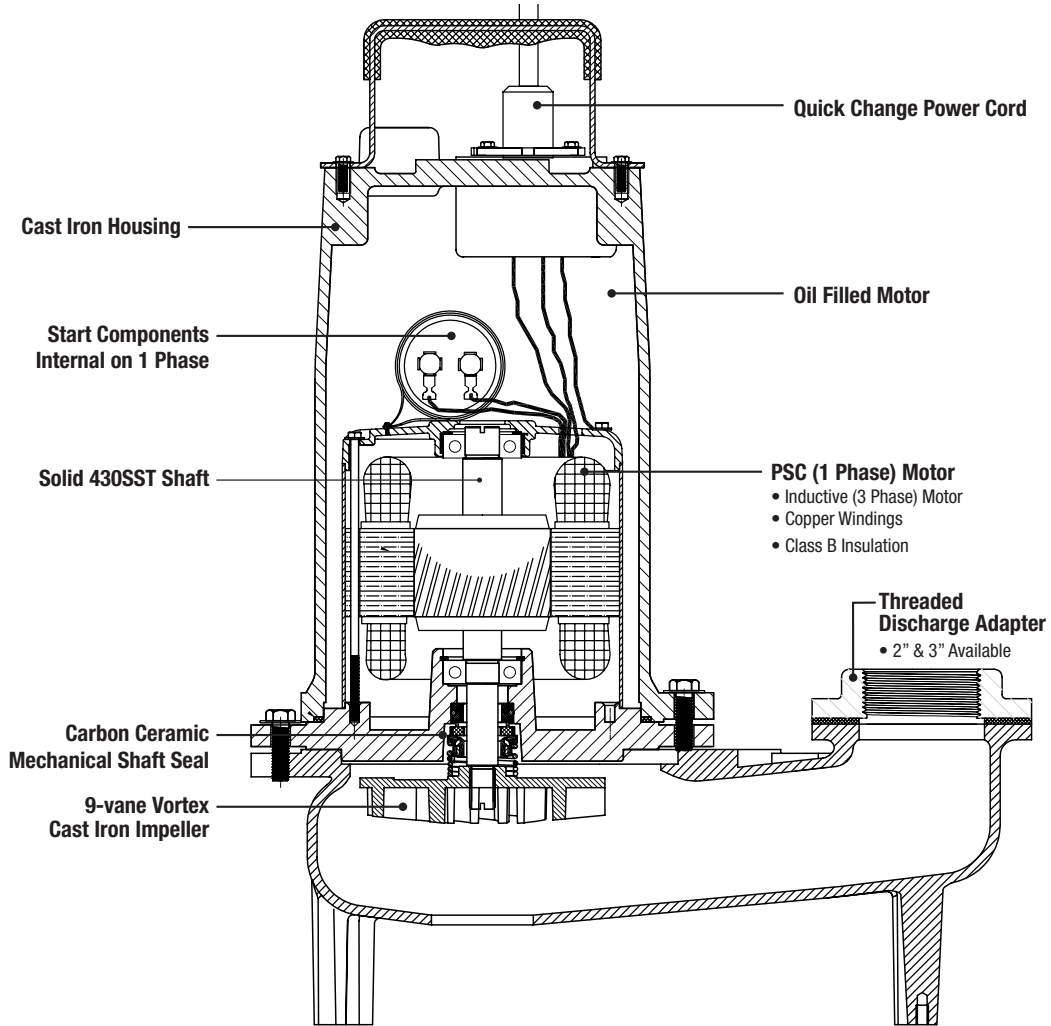
#### Electrical Data:

R.P.M.	3450
MOTOR TYPE	PSC/Induction
GEN INSULATION CLASS	B
STATOR WINDING CLASS	B
MAXIMUM STATOR TEMP	130°C
VOLTAGE TOLERANCE	±10%
MOTOR PROTECTION	Thermally Protected
HP 1 (SWF100) and 2 (SWF200)	
VOLTAGE	208/230/460
PHASE	1/3
SERVICE FACTOR	1

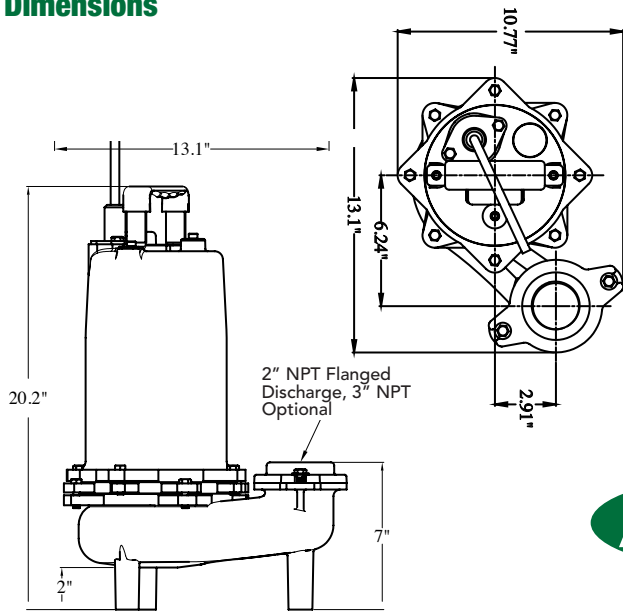
### Specifications

Model	HP	Hz	Volts/Ph	RPM	Full Load Amps	Nema Start Code	Cord Type	Cord Power Size	Cord O.D.
SWH50M1-20	1/2	60	115/1	3450	12.0	P	SOW	16AWG/3C	.43
SWH50M2-20	1/2	60	230/1	3450	6.0	P	SOW	16AWG/3C	.43
SWH50M3-20	1/2	60	230/3	3450	4.0	P	SOW	16AWG/4C	.46
SWH50M4-20	1/2	60	460/3	3450	2.0	P	SOW	16AWG/4C	.46
SWH50M5-20	1/2	60	208/1	3450	6.8	P	SOW	16AWG/4C	.43
SWH50M6-20	1/2	60	208/3	3450	4.2	P	SOW	16AWG/4C	.46

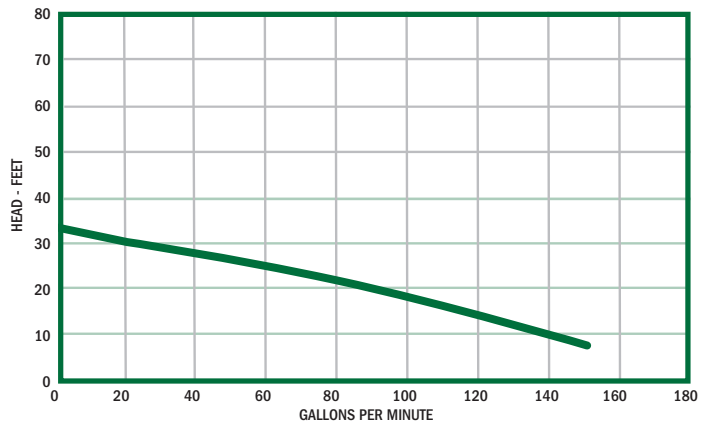
# Features



# Dimensions



# Performance Curve



P U M P

*Honest, Professional, Dependable*

1899 Cottage Street, Ashland, Ohio 44805

Telephone: 855 281-6830 • Fax: 877 326-1994 • ashlandpump.com