

GRINDER PUMPS

SIMPLEX GRINDER PACKAGES

APPLICATIONS

- Low pressure sewer applications
- Sewage wastewater transfer for light commercial or residential applications

FEATURES

PACKAGE SYSTEMS

- Pre-assembled with stainless steel rail system with sealing flange, discharge pipe disconnect, three pre-set control float switches, stainless steel lifting chain, junction box, ball check valve, and shut-off valve
- Includes GP series 2 hp grinder pump (installed in field), grinder control panel/alarm with starting component matched to grinder motor
- Cover structural foam



SERIES SPECIFICATIONS

Simplex Grinder Package System**

Item No.	Model	Basin		
		Size	Style	Description
520827	GP-SMPX2460	24" x 60" 61 cm x 152.4 cm	Fiberglass	BS2460FG
520828	GP-SMPX2472	24" x 72" 61 cm x 183 cm	Fiberglass	BS2472FG
520829	GP-SPMX2484	24" x 84" 61 cm x 213.4 cm	Fiberglass	BS2484FG

**Multiple Grinder Package configurations and Basin/Cover assemblies available. Please call 1.800.701.7894 for information on additional package specifications not shown here.

Pumps

Item No.	Model	Volts
520865	GP-M231-15	230
520855	GP-M201-15	208

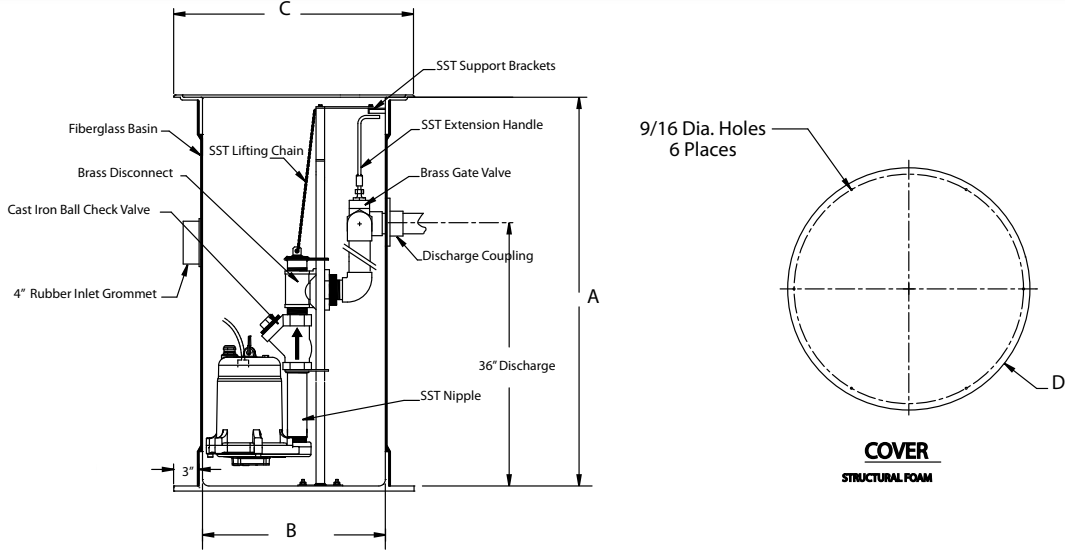
Control Panel

Item No.	Model	Volts
513374	MGP-1C18-2	208/230

Control Floats

Item No.	Model	Volts
950266	CFSS	115/230

ENGINEERING DATA



Model	A	B	C	D
GP-SMPX2460	60" 152.4 cm	24" 60.96 cm	30" 76.2 cm	28" 71.12 cm
GP-SMPX2472	72" 182.88 cm	24" 60.96 cm	30" 76.2 cm	28" 71.12 cm
GP-SPMX2484	84" 213.36 cm	24" 60.96 cm	30" 76.2 cm	28" 71.12 cm

PUMP PERFORMANCE DATA

