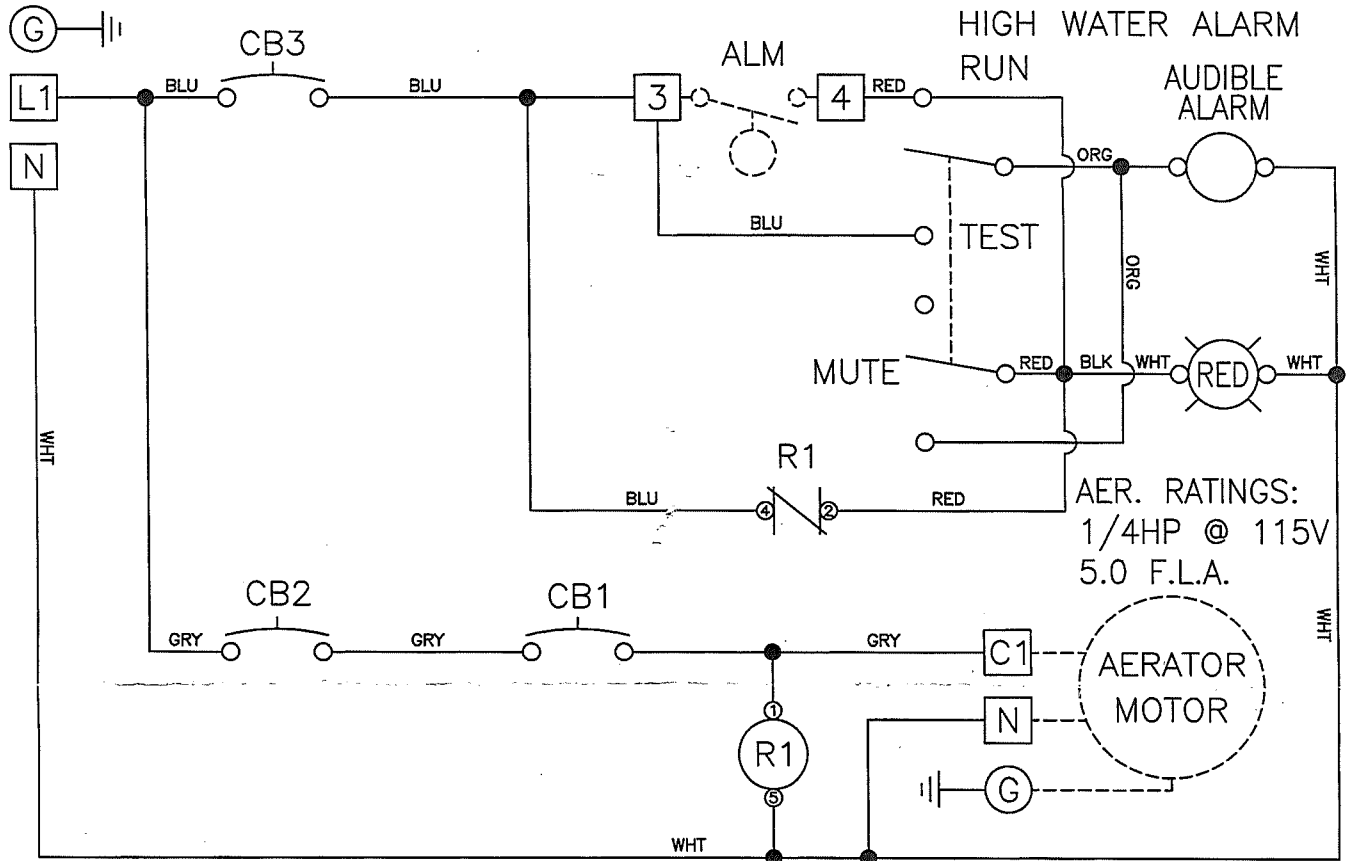


MODEL NO.

274

PAGE
2

POWER CIRCUIT
115V - 1PH



AER. RATINGS:
1/4HP @ 115V
5.0 F.L.A.

NOTES: MAIN PANEL DISCONNECT MUST BE PROVIDED BY INSTALLER.
DASHED LINES INDICATE ITEMS NOT CONTAINED IN THE PANEL.
FIELD WIRING MUST BE A MINIMUM OF 60°C COPPER WIRE.
REQUIRED TORQUE FOR TERMINAL BLOCK SCREWS IS 9 in.-lbs.
ALL INFORMATION CONTAINED IN THIS DRAWING IS
CONFIDENTIAL AND PROPRIETARY TO SEPTIC PRODUCTS, INC.



CHANGES	TOLERANCES	DRAWN BY	DATE
F	DECIMALS .xxx = ±.005	D. MIDDLETON	07/11/08
E	.xx = ±.010	MATERIAL SPECIFICATION: AS NOTED	
D	FRACTIONAL x/x = ±.1/64		
C	ANGLES x' = ±1/2'		
B			
A			

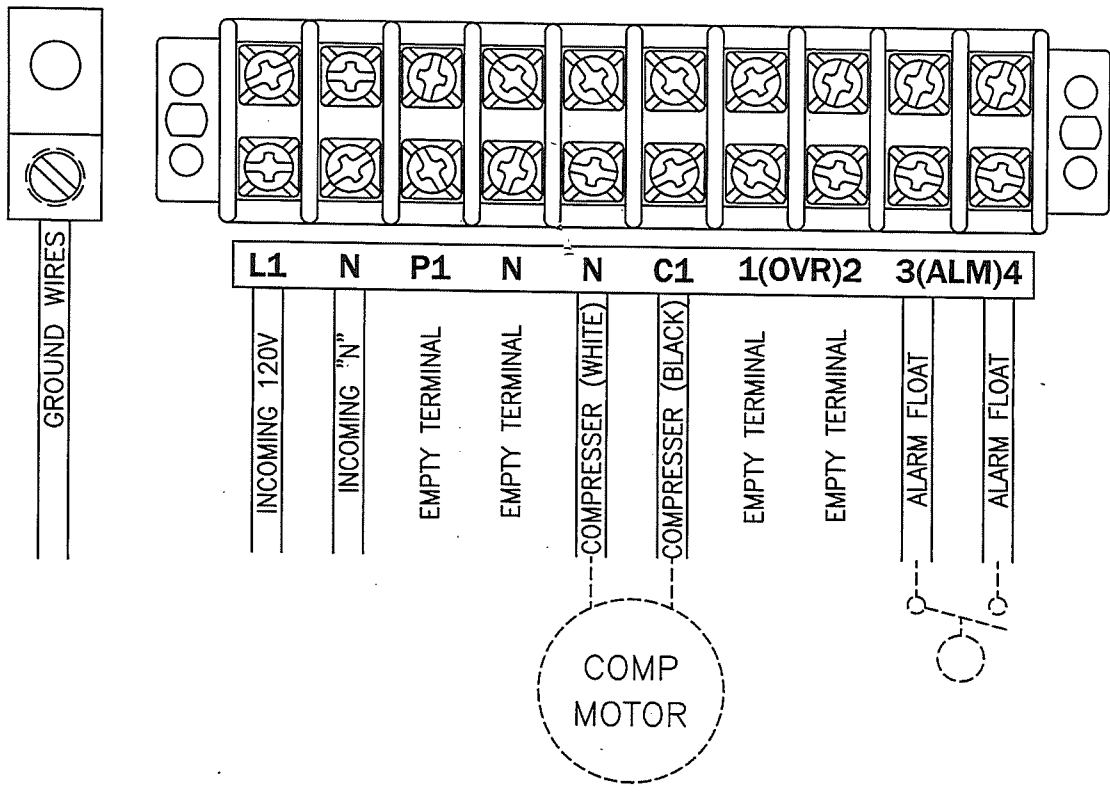
SCHEMATIC, ELECTRICAL W/TIMER & AERATOR	
SCALE:	PART NO.
N/A	80000

TIGHTENING TORQUE FOR TERMINAL BLOCK IS 9 in-lbs.

MODEL NO. 274

PAGE 1

CONNECTION DIAGRAM



ALL INFORMATION CONTAINED IN THIS DRAWING IS CONFIDENTIAL AND PROPRIETARY TO SEPTIC PRODUCTS INC.



CHANGES	TOLERANCES	DRAWN BY	DATE
F	DECIMALS .XXX = ±.005 .XX = ±.010 FRACTIONAL X/X = ±.1/64 ANGLES X° = ±1/2°	D. MIDDLETON	07/11/08
E		MATERIAL SPECIFICATION: AS NOTED	
D			
C			
B			
A			

POWER CONNECTION DIAGRAM	
SCALE: N/A	PART NO. 80000