

# Liberty Pumps®

## ProVore™ 380



US Patent #s  
7,520,736, 7,563,082,  
7,159,806 & 8,523,532

**Shipped with  
Clear Construction Cover**



Clear disposable cover protects the system during masonry work and rough-in.

### **Residential Simplex Grinder System**

**1 hp  
2" Discharge**

**Compact simplex system -  
designed for residential  
sewage applications**

**Perfect for basement  
bathroom additions and  
remodeling projects**

**Available in 115V or 230V**

**Fully assembled from factory**

#### **Features:**

- Robust system features a compact heavy-duty polyethylene basin and cover
- System can be installed above or below floor level
  - 41 gallon capacity
- Patented V-Slice® cutter technology shreds difficult solids such as feminine products, rags, towels and wipes that can jam solids-handling pumps
- Easy access cover with QuickTree® technology – allows for quick float removal and servicing
- Heavy-duty integrated rubber gaskets on covers
  - Secure 16 bolt cover standard on all models. Passes 10' stack test

innovate. evolve.

# ProVore® 380

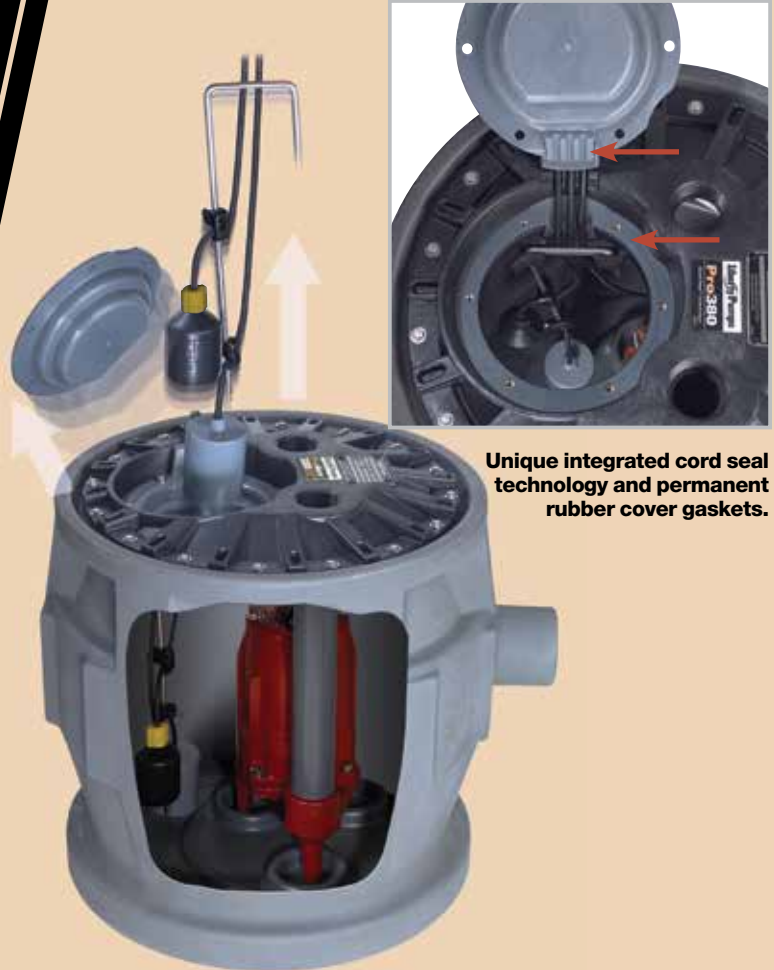
## QuickTree® Technology

### Features:

- QuickTree® technology allows easy access and removal of switches without disturbing pump or plumbing.
- Integrated rubber seals permanently attached to cover.
- Unique cord seal technology integrated into the inspection cover.
- Shallow basin design (24") for easier installation in difficult soil/bedrock locations.
- Large 41 gallon capacity for longer pump cycles.
- Integrally molded torque stops secure the pump in its proper position.
- Integrally molded anti-flotation collar.
- Durable polyethylene construction.
- Completely assembled.

## QuickTree® Technology

### Integral Rubber Seals

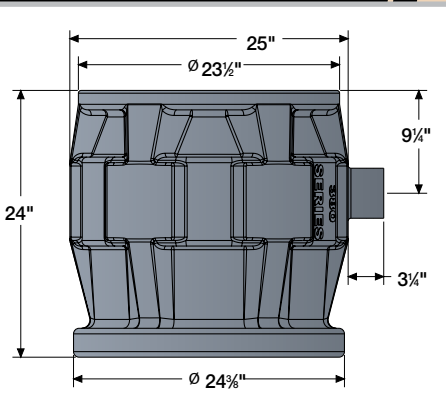


Unique integrated cord seal technology and permanent rubber cover gaskets.

### Models:

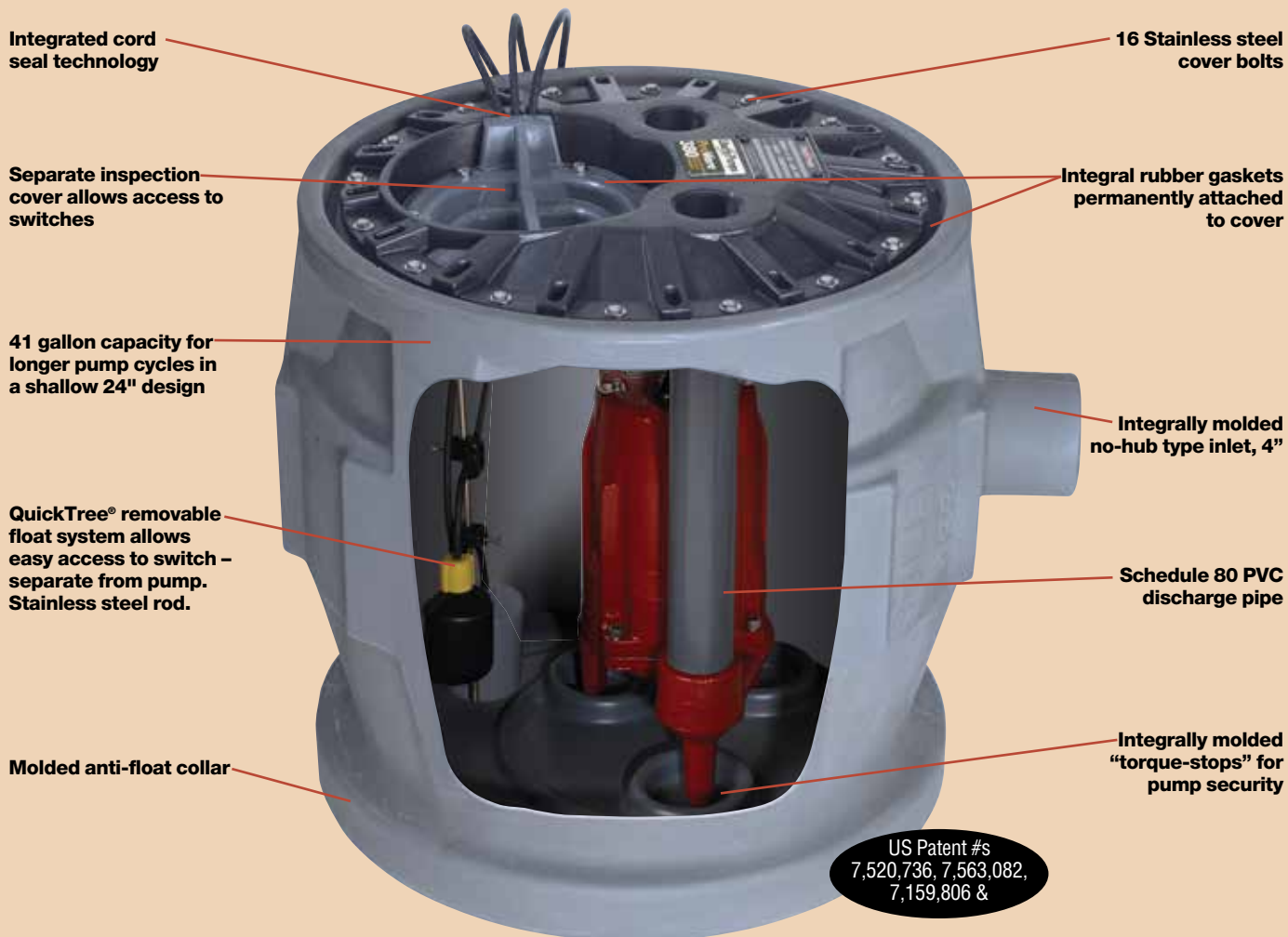
| MODEL        | HP | VOLTS | PHASE | AMPS | DISCHARGE | CORD LENGTH | WGT. LBS. |
|--------------|----|-------|-------|------|-----------|-------------|-----------|
| P382XPRG101  | 1  | 115   | 1     | 12   | 2"        | 10'         | 87        |
| P382XPRG101V | 1  | 115   | 1     | 12   | 2"        | 10'         | 87        |
| P382XPRG102  | 1  | 230   | 1     | 6    | 2"        | 10'         | 87        |

"V" model = vertical float. All other models are wide-angle.  
 See specific PRG-Series literature for complete pump performance and specifications.  
 For 25' power cord add "-2" suffix to model number. Example: P382XPRG101-2  
 For side discharge models see ProVore SD-Series literature.

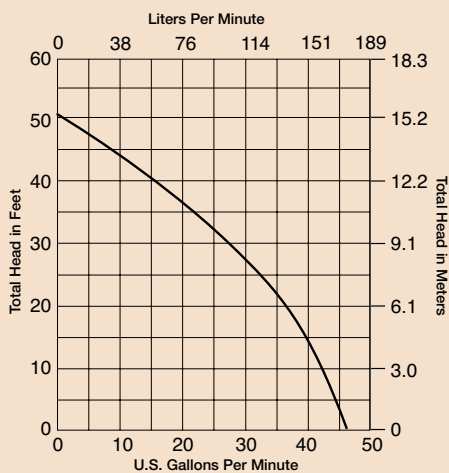


# ProVore® 380-Series 24" x 24" – 41 Gallons

## 1 hp. Residential Grinder Package



### Performance Curve 60 Hz.



### IAPMO Listed Basin

The ProVore® 380 Basin is specifically designed to pass a 10' stack test and is IAPMO listed.



vate. evolve.

**Riser allows burial of the ProVore®380 System up to a maximum depth of 18" below grade.**

A convenient chamber for all your pump's electrical and piping connections – out of sight and below grade. Riser simply slides over the sealed 380 system. Cover is retained by 4 stainless steel bolts and features a twist-lock design with provision for padlock to deter unwanted entry.

**Specifications:**

**Weight: 28 lbs. - (Riser and Cover)**  
**Riser Height: 18-3/4"**  
**Total Height with Cover: 20-1/2"**  
**Diameter: 32"**

| MODEL     | DESCRIPTION                                                         |
|-----------|---------------------------------------------------------------------|
| AR18      | Access Riser                                                        |
| AC18      | Access Riser Cover (Environmental Green)                            |
| ARC18     | Kit, Access Riser with Cover                                        |
| ARCKIT115 | Kit, Access Riser with Cover and 2" installation accessories - 115V |
| ARCKIT230 | Kit, Access Riser with Cover and 2" installation accessories - 230V |
| IKIT2-115 | Installation Kit 2", 115V                                           |
| IKIT2-230 | Installation Kit 2", 230V                                           |

# Optional Access Riser



Liberty's installation kits provide all the components for a professional installation inside the riser. Kit includes: JB-Series wiring box and hardware, check valve with a disconnect union feature, coupling and elbows (PVC piping not included). Kits available in 2" discharge and vent size only.

# ProVore®380-Series Alarmed System



Now, have the assurance of early warning in the event of a high-level condition with an alarm option installed from the factory! We do the work for you by mounting the alarm float in the basin at its proper level – no need to even open the cover! Simply mount the alarm panel in its desired location, supply power and connect the alarm float leads!



**ALM-2 (pictured)**  
**Indoor 115V Alarm with 9 volt Battery Back-up**

### How to Order:

| Alarm Model | Add Suffix | Ordering Example |
|-------------|------------|------------------|
| ALM-2       | /A2        | P382XPRG101/A2   |

Alarm float is pre-set at proper level in basin.  
 Alarm panel packaged with unit.