



## **PED33 THERMOPLASTIC PEDESTAL SUMP PUMP**

### **FEATURES**

- Column style sump pumps for sumps with a minimum 11" in diameter and maximum 24" deep.
- Continuous duty rated PSC motor; higher efficiency.
- Top mounted adjustable vertical switch

***Honest  
Professional  
Dependable***

1899 Cottage Street, Ashland, Ohio 44805  
Telephone: 855 281-6830 · Fax: 877 326-1994  
[ashlandpump.com](http://ashlandpump.com)



# PED33 - 1/3 Thermoplastic Pedestal Sump Pump

## TECHNICAL DATA

### Physical Data:

DISCHARGE SIZE **1-1/2" NPT**  
 IMPELLER TYPE **Vortex- Plastic**  
 CABLE LENGTH **8'**

### Liquid Handling:

SOLIDS SIZE **3/16"**  
 MAXIMUM LIQUID TEMP. **104°F - Intermittent**  
 ACCEPTABLE PH RANGE **6-8**

### Temperature:

MAXIMUM STATOR **130°C**

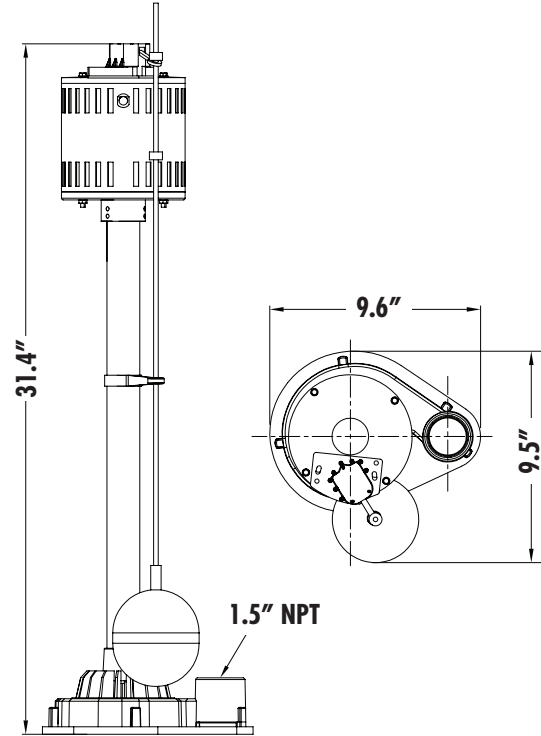
### Technical Data:

POWER CORD TYPE **SJT**  
 MOTOR HOUSING **Steel**  
 CASING **Plastic**  
 IMPELLER **Plastic**  
 MOTOR SHAFT **SST**  
 HARDWARE **Steel**  
 "O" RINGS **NBR**  
 SEAL Type **LIP**  
 UPPER BEARING **6202**  
 LOWER BEARING **6202**

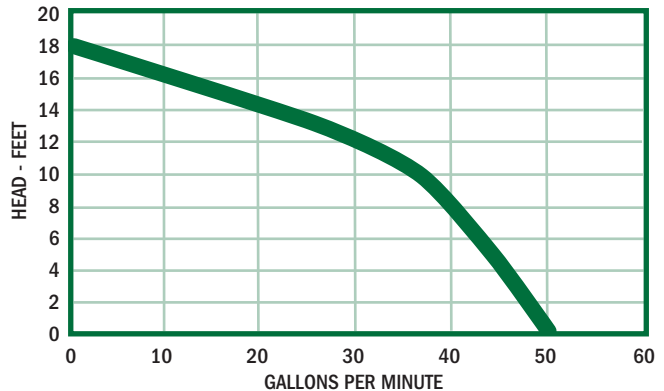
## ELECTRICAL DATA

R.P.M. **1750**  
 MOTOR TYPE **PSC**  
 GENERAL INSULATION CLASS **B**  
 STATOR WINDING CLASS **B**  
 MAXIMUM STATOR TEMPERATURE **130°C**  
 VOLTAGE TOLERANCE **±10%**  
 MOTOR PROTECTION **Thermally Protected**  
 HP **1/3**  
 VOLTAGE **115**  
 PHASE **1**  
 SERVICE FACTOR **1.0**  
 FULL LOAD AMPS **4.0**

## DIMENSIONAL DATA



## PERFORMANCE CURVE



## PERFORMANCE CHART

Total Lift(feet)	0	5	10	15	18
GPM	50	45	37	26	0

# Ashland

P U M P

*Honest, Professional, Dependable*

1899 Cottage Street, Ashland, Ohio 44805

Telephone: 855 281-6830 · Fax: 877 326-1994 · ashlandpump.com